

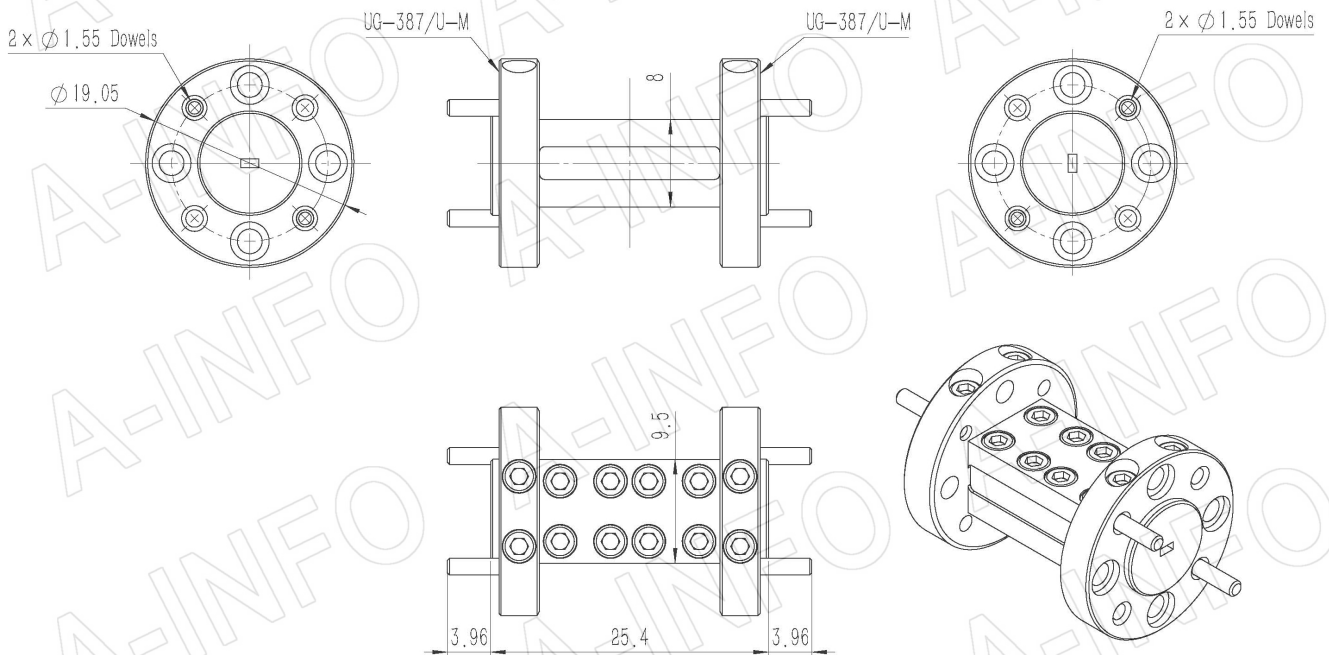
For reference only. See data sheet for the detailed specifications.

Technical Specification



EIA WR	WR6
Frequency Range(GHz)	110.0 – 170.0
Twist Type	Right-Handed
Twist Degree(deg)	90
Insertion Loss(dB)	0.5 Max.
VSWR	1.15:1 Max.
Flange	UG-387/U-M
Material	Cu
Finish	Gold Plated
Size(mm)	25.4 x 19.05 x 19.05
Net Weight(Kg)	0.03 Around

Outline Drawing (Size: mm)



AINFO Inc.

China(Beijing): Tel: (+86) 10-6266-7326,
China(Chengdu): Tel: (+86) 28-8519-2786,
USA: Tel: (+1) 949-639-9688,

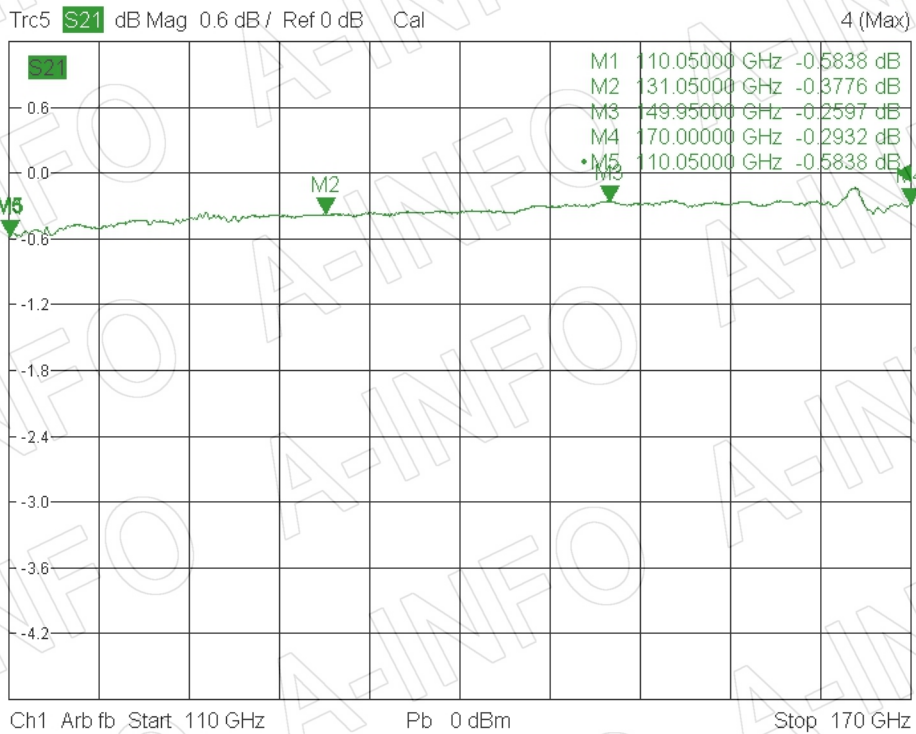
Page 1 of 3

(+86) 10-6266-7327 Fax: (+86) 10-6266-7379
(+86) 28-8519-3044 Fax: (+86) 28-8519-3068
(+1) 949-639-9608 Fax: (+1) 949-639-9670

Website: www.ainfoinc.com
Email: sales@ainfoinc.com

Test Results

I.L. (Test with two Waveguides back to back)



VSWR

